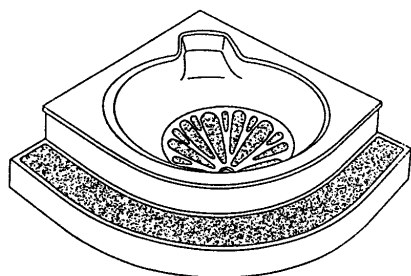
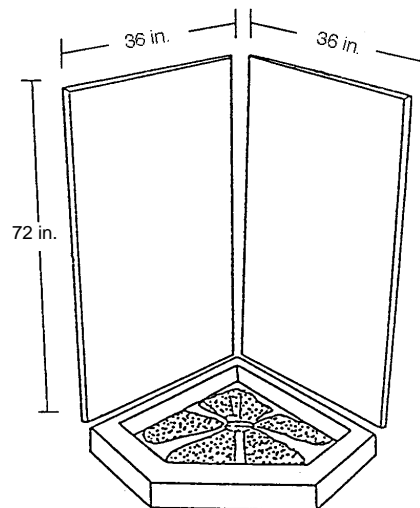


Steps For Tubs And Wall Panels For Showers And Tubs

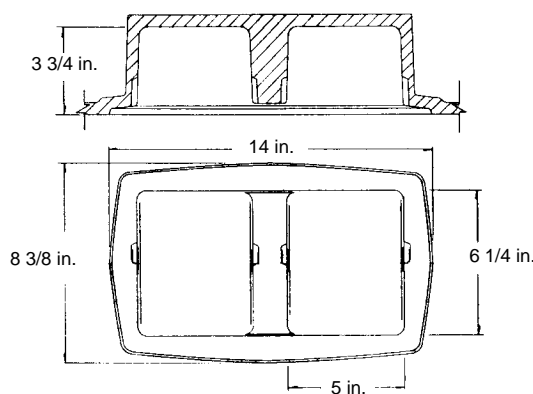


Custom steps and a tub and shower surround are available to suit the individual bath environment. Tub and shower panels can be made to accommodate any size or shape.



Double Toilet Tissue Holder

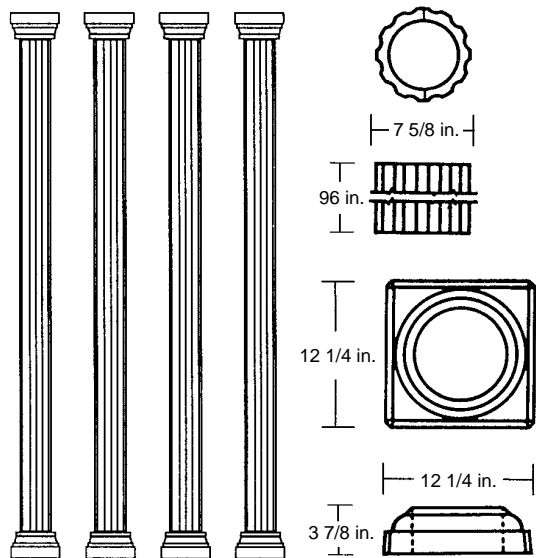
The toilet tissue holder can be added into the aprons of a vanity top or wall panel of the bathroom. It adds that extra touch to the design of the bathroom.



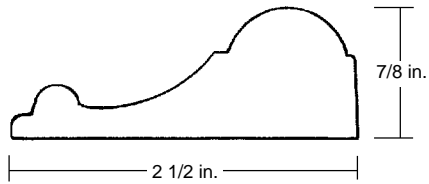
Custom Columns

Now all the splendor of ancient Greece can be yours with the fluted Grecian column. Each column recreates this ageless beauty that is 7 5/8 inches in diameter and a full 8 feet long. Use the column as an accent against paneling or mirrors.

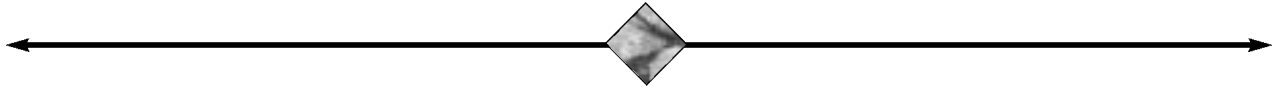
As a finishing touch to the timeless elegance of the fluted column, a classically sculptured column base provides the perfect foundation.



Chair Rail Trim

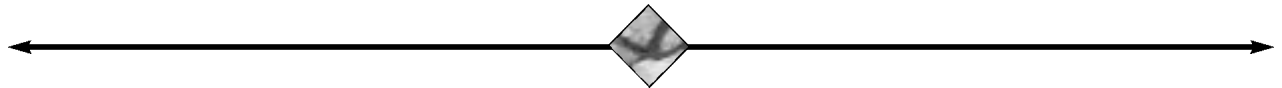
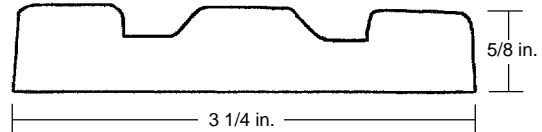


Used to add a difference around bathrooms or as a break in the wet walls of a tub or shower enclosure. Any of the trim pieces on this page can be added to any installation for a custom look in that one-of-a-kind bath.



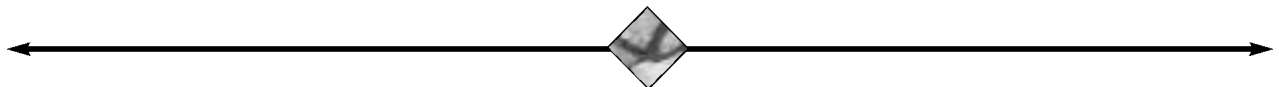
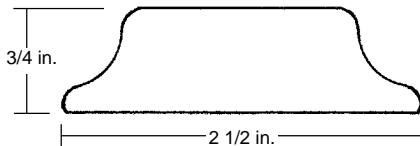
Fluted Trim

This trim piece is very useful for incasements or adding style in unusual applications.



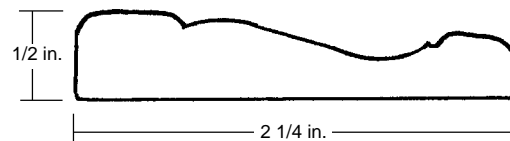
Double Edge Trim

Used as a batten piece or can be used as a border trim.

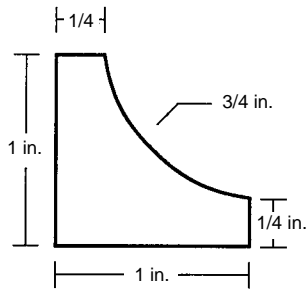


Ranch Molding

This decorative piece can be used as trim for the floor or ceiling.



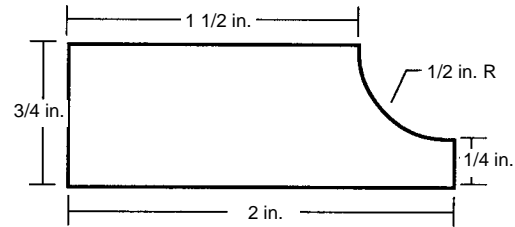
1"x1' Inside Corner



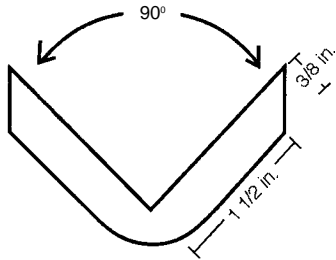
Use these distinctive, yet versatile trim strips along the inside corners of tub enclosures and shower surrounds. It not only adds an extra measure of beauty to the installation, it also conceals caulked joints.

3/4" Edge Trim

Use this trim to provide a finished look along the edges of paneling or around the perimeter of tub and shower enclosures.



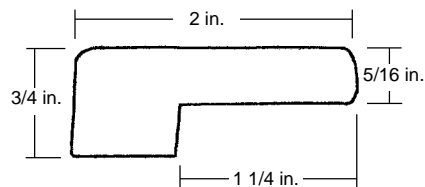
Outside Corner



This sleek trim adds the finishing touch to the outside edge of wall panels, whether on the edge of an eight foot wall, around a window, or the edge of a tub deck. The crisp, beveled edges of the trim help to integrate the trim with the panels.

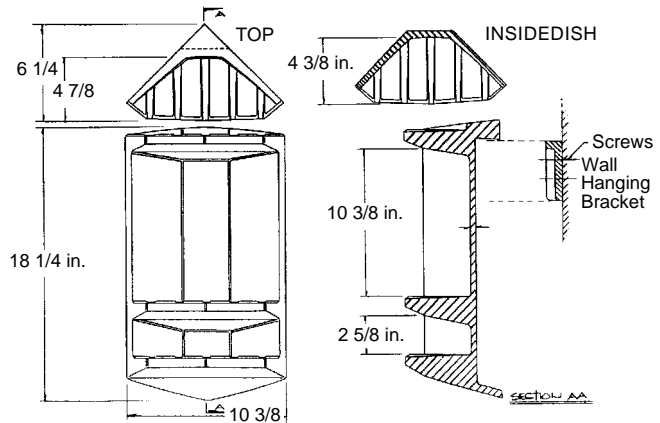
Cap Trim

The cap trim is used on the front and top of the tub and shower walls. It can be used as a decoration, and as a way to ease installation.

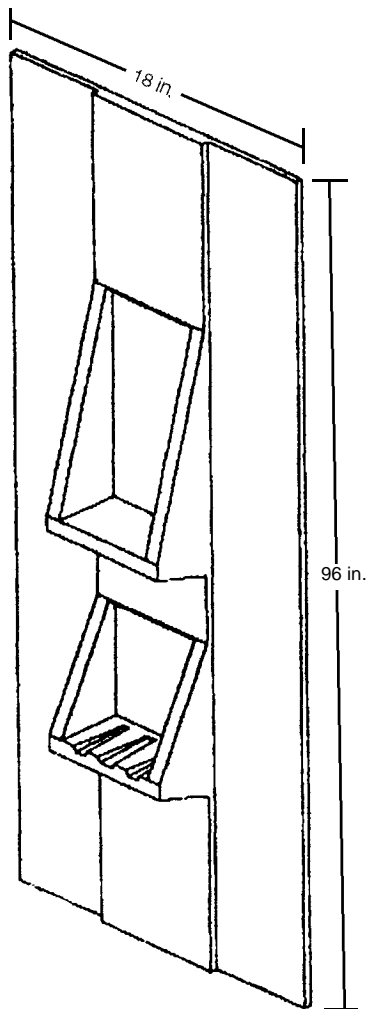


Caddy I

The corner caddy is a non-recessed, three-shelf soap and shampoo holder that is mountable in any corner of a tub or shower application. It is attractive and adds a unique design feature to any application.



Batten Shelf



The batten shelf can be used to overlap tub and shower walls. It adds a soap and shampoo shelf.