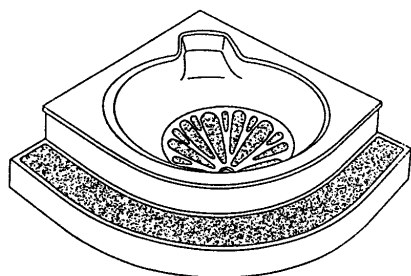
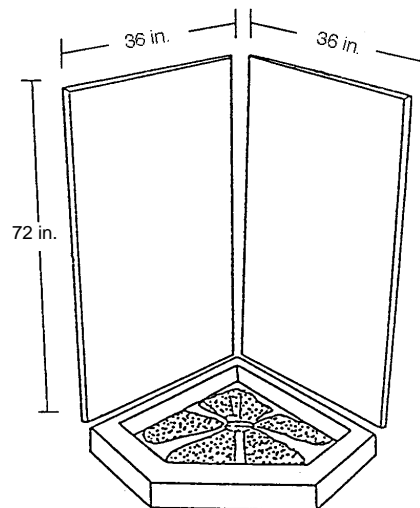


## Steps For Tubs And Wall Panels For Showers And Tubs

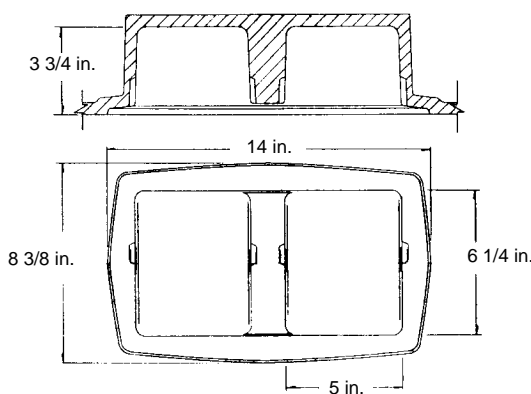


Custom steps and a tub and shower surround are available to suit the individual bath environment. Tub and shower panels can be made to accommodate any size or shape.



## Double Toilet Tissue Holder

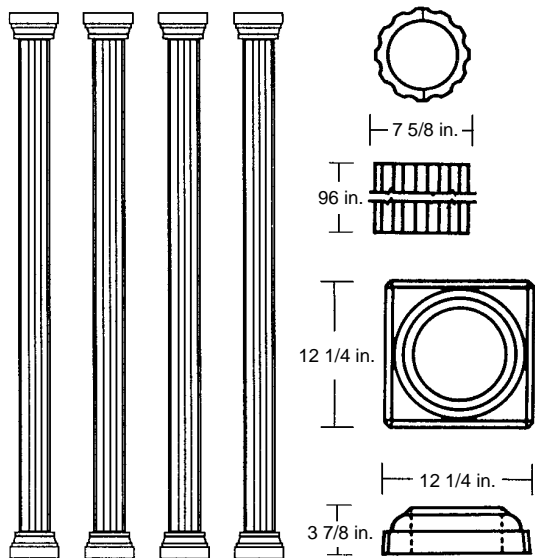
The toilet tissue holder can be added into the aprons of a vanity top or wall panel of the bathroom. It adds that extra touch to the design of the bathroom.

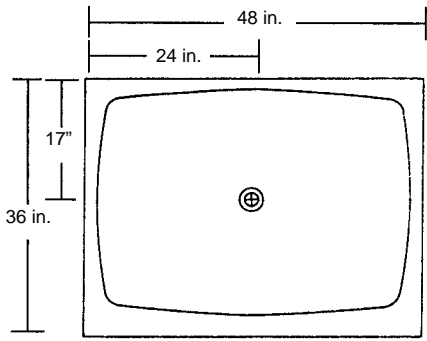


## Custom Columns

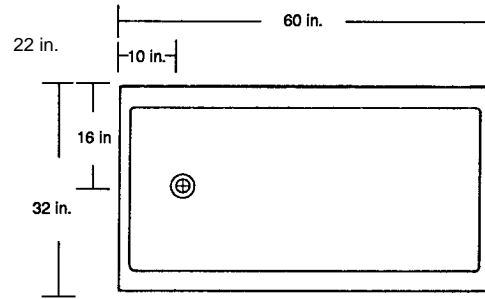
Now all the splendor of ancient Greece can be yours with the fluted Grecian column. Each column recreates this ageless beauty that is 7 5/8 inches in diameter and a full 8 feet long. Use the column as an accent against paneling or mirrors.

As a finishing touch to the timeless elegance of the fluted column, a classically sculptured column base provides the perfect foundation.

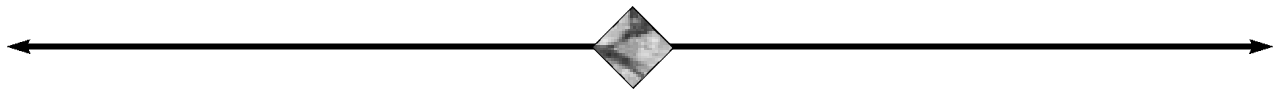




**36"x48" Single Threshold**

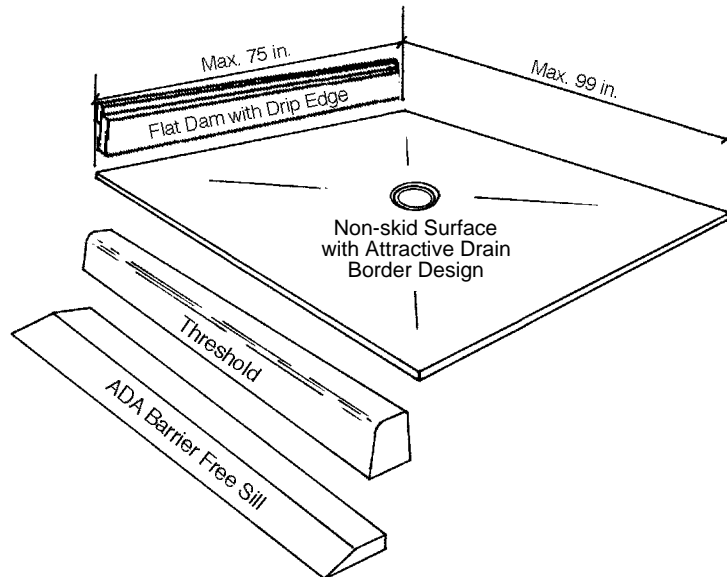


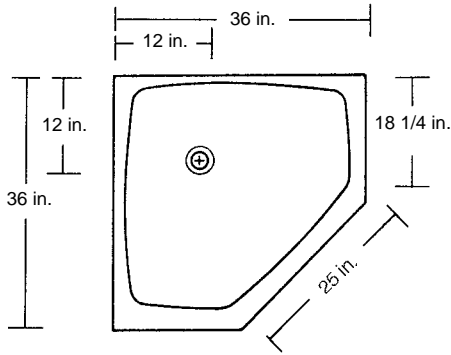
**32"x60" Single Threshold**



### Custom Shower Base

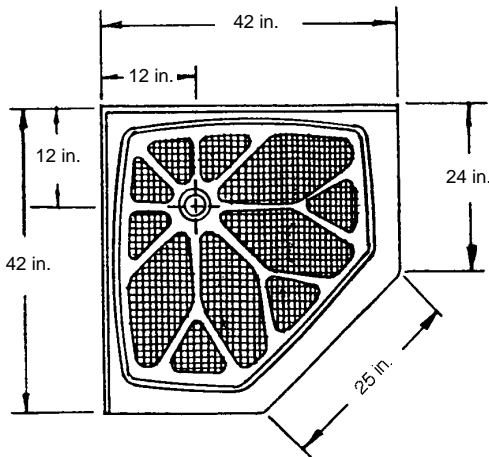
Custom Marble Products can manufacture any size base to fit your design needs such as 50"x50" neo-angle or a 34"x60" double threshold. All custom shower bases come with water drip edges and dams, thresholds or barrier free sills. Drain location is manufactured to your specifications.



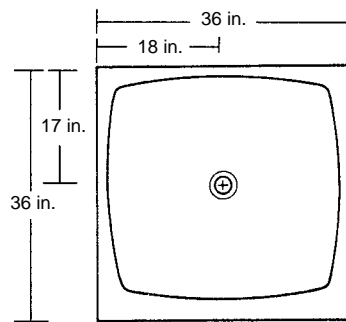


**36" x 36" Neo-Angle**

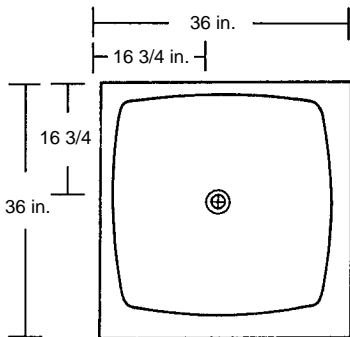
A shower pan is the base (literally) of the complete cast media bath environment. Easily installed, every pan features a textured surface which is sloped toward the drain for maximum drainage. The large selection of these one-piece shower pans will accommodate most standard or custom installations.



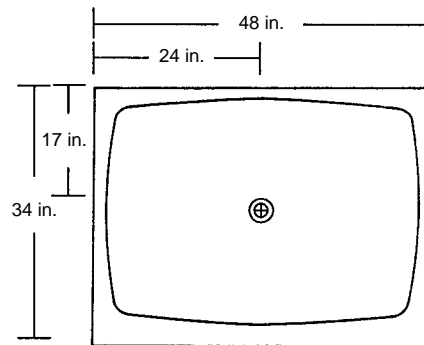
**42" x 42" Neo-Angle**



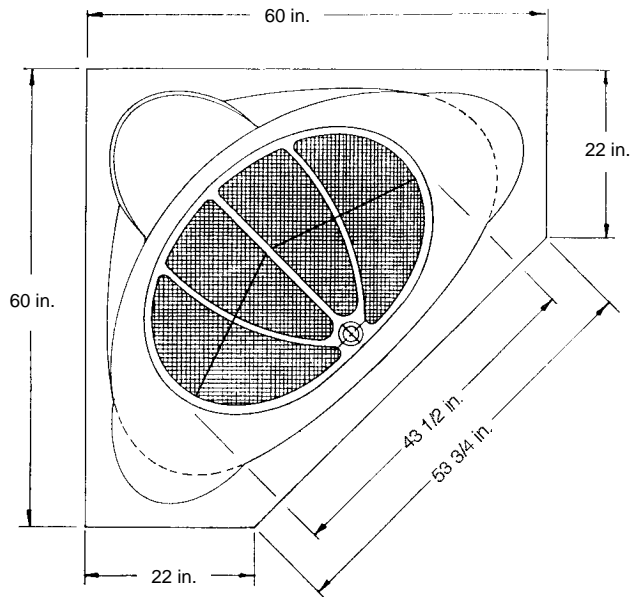
**36" x 36" Single Threshold**



**36" x 36" Double Threshold**



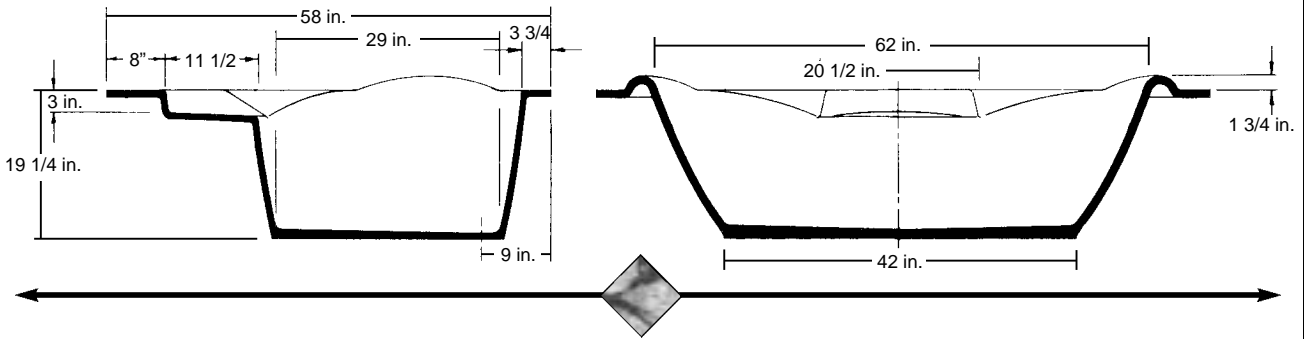
**34" x 48" Single Threshold**



### The Mark 44

The Mark 44 tub is 19½” deep, has a nice textured bottom and has a recessed seat. The sides of the tub each have a head rest. Other design features include a designer flair, textured bottom and great length for soaking.

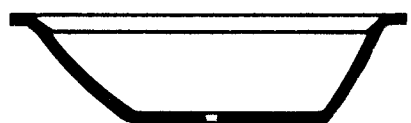
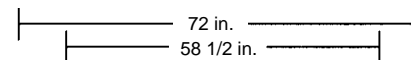
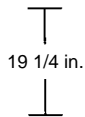
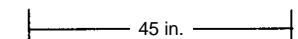
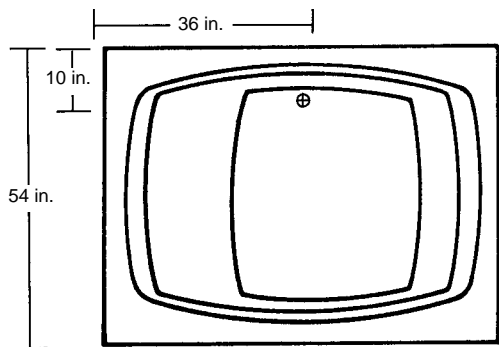
CAPACITY OF TUB: 75 GAL.



### The Mark 13

This unusually large tub incorporates such popular design features as a broad, rectangular shape; gracefully flared edge; and a different angle of slope at each end, one for sitting and one for reclining.

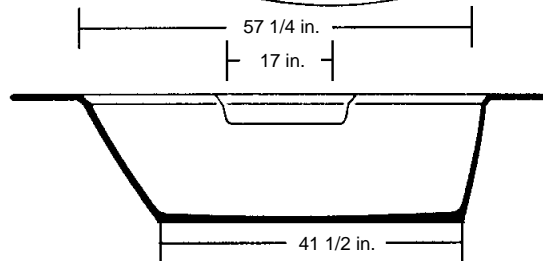
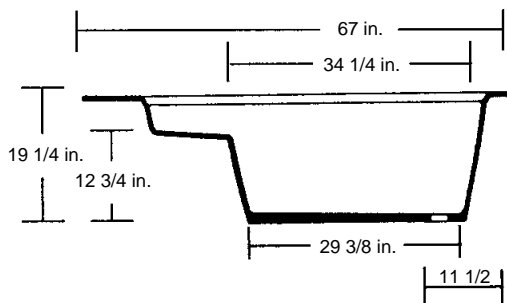
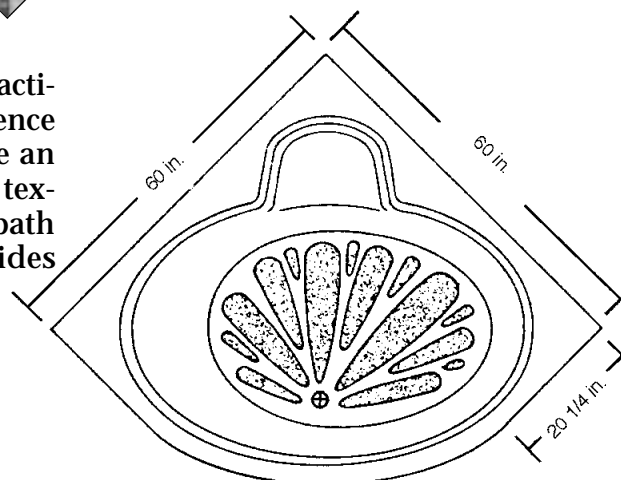
CAPACITY OF TUB: 105 GAL.



### The Mark 26

The Mark 26 corner tub is accented with a practical, recessed seating area for bather convenience and comfort. Other design features include an oval flared rim, generous 19-inch depth, and textured bottom surface. For ease of whirlpool bath installation, the corner configuration provides ample space for necessary equipment.

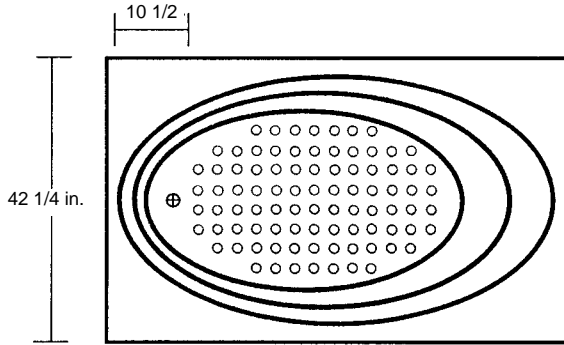
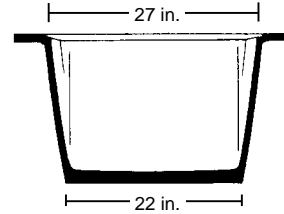
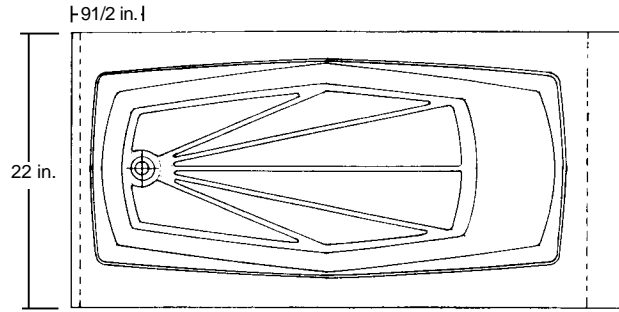
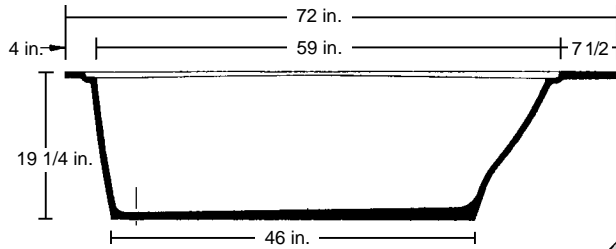
CAPACITY OF TUB: 60 GAL.



## The Mark 37

The Mark 37 is 36" wide and can be 72" or 66" long. It has a great design with a lumbar back support. It has a textured, well-designed bottom.

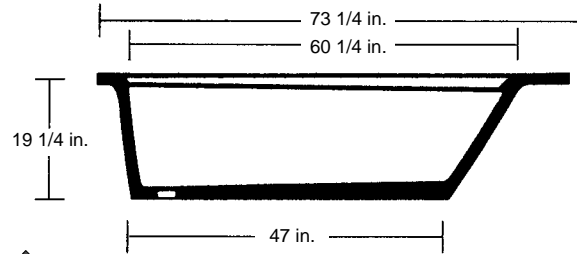
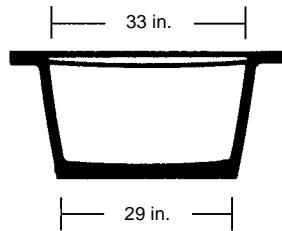
CAPACITY OF TUB: 70 GAL.



## The Mark 17

The Mark 17 is 73" long, extra wide, and extra deep. This spacious bathtub is ideal for today's more luxurious bath environments.

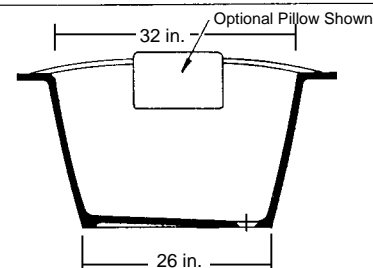
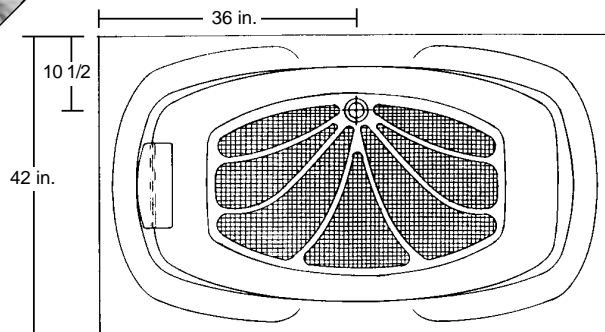
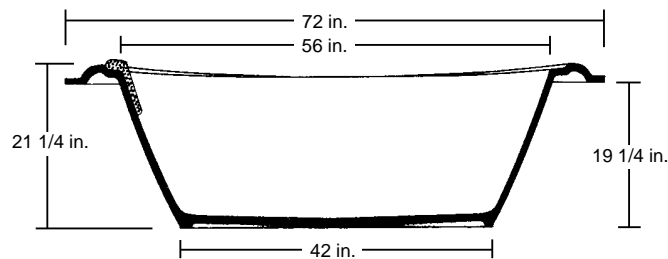
CAPACITY OF TUB: 79 GAL.



## The Mark 46

The Mark 46 has a design that is a cut above most tubs. It has the ability to be used as a one or two person tub. Faucet is mounted on the tub deck, in the center, which adds to its uniqueness. A pillow is an option.

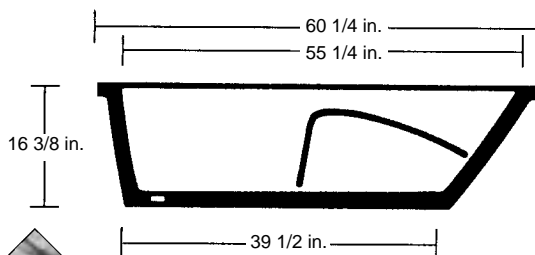
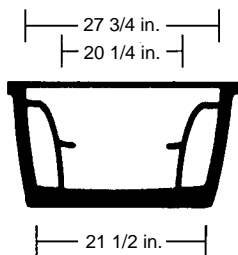
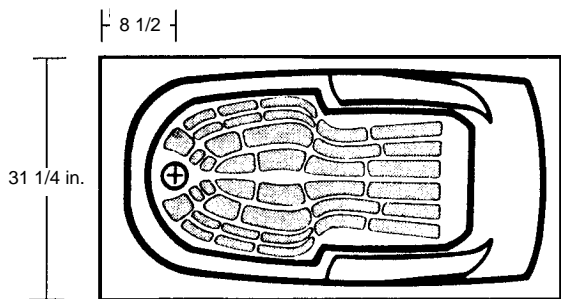
CAPACITY OF TUB: 89 GAL.



## The Mark 12

The Mark 12 provides a large capacity in the standard 31" x 60" overall size. It also offers the most requested features; comfort-contoured backrest, armrests, and textured bottom.

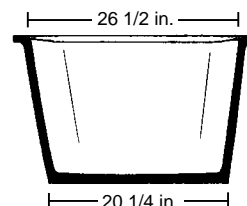
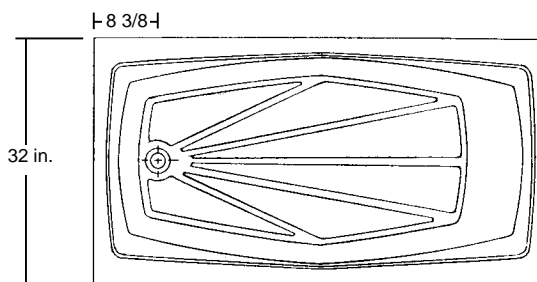
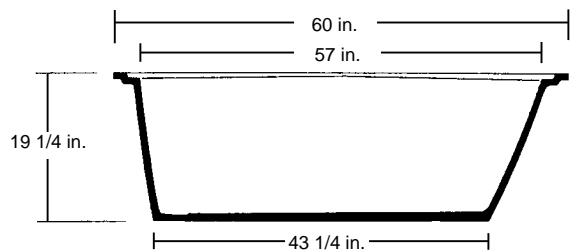
CAPACITY OF TUB: 54 GAL.



## The Mark 35

The Mark 35 has all the features that are desirable for replacing a 60" tub or for new construction. It has a textured bottom, is 19" deep and has a recessed tub deck.

CAPACITY OF TUB: 65 GAL.



## The Mark 18

The Mark 18 measures 36" x 60" and features styled arm supports, a gently sloping back, and beveled headrest. The wide bathing area and extra depth provides deep soaking comfort.

CAPACITY OF TUB: 60 GAL.

