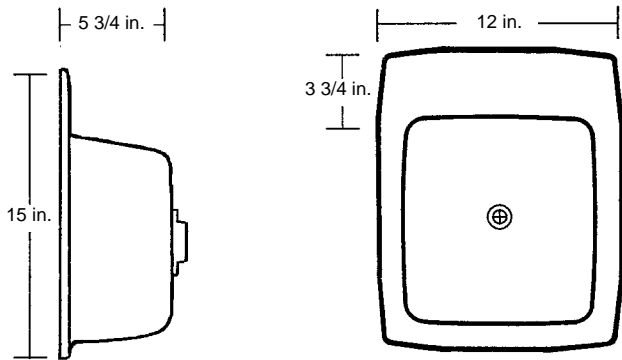
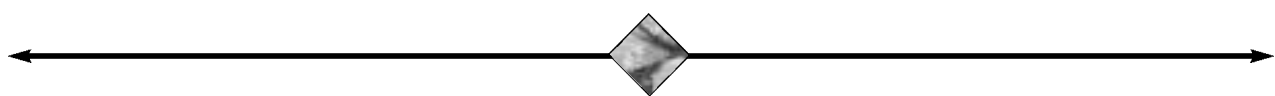


Bars I



The 12-inch width of this sink saves countertop space when the sink is positioned traditionally with the faucet at the back or rotated 90 degrees with the faucet at the side to fit on an 18 inch counter top. The sink and counter top are one integral piece.

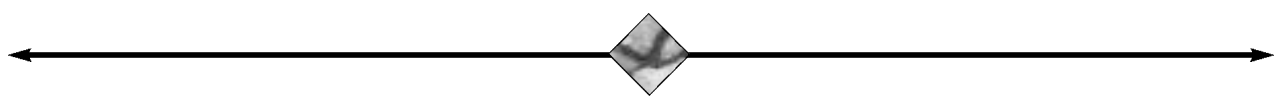
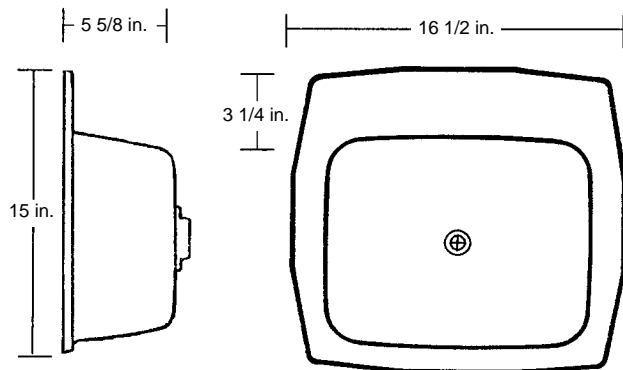
CAPACITY OF BOWL: 1.8 GAL.



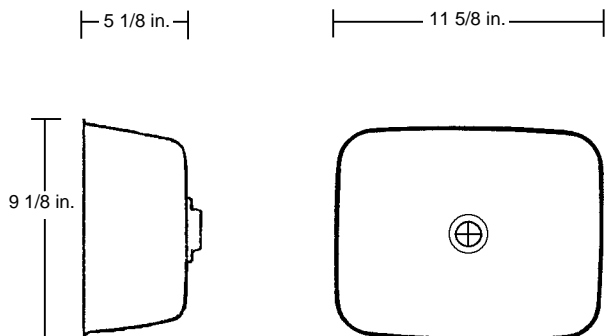
Bars II

An additional 4½ inches of width provide this bar sink with extra bowl capacity. The sink and counter top are one integral piece.

CAPACITY OF BOWL: 2.25 GAL.



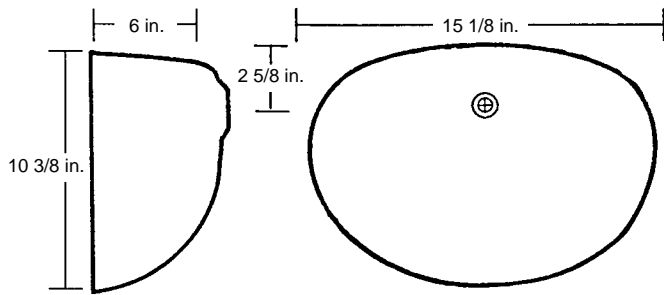
Bars III



The non-recessed bowl is ideal for saving on countertop space. It can be positioned by either the long (11 5/8) or short (9 1/8) side

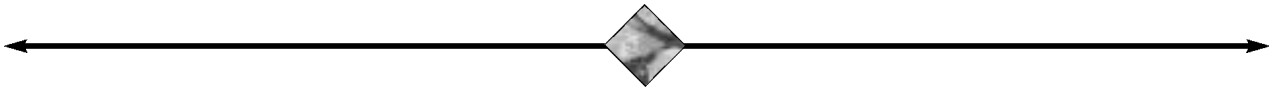
CAPACITY OF BOWL: 1.5 GAL.

Oval I



The Oval I is the smallest oval bowl and is especially designed to fit a 17-inch deep vanity top. This non-recessed bowl comes standard with a side overflow.

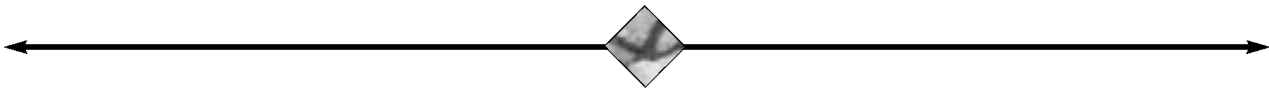
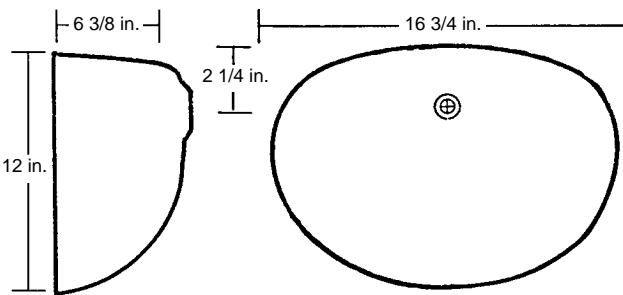
MINIMUM SIZE OF VANITY TOP: 17 IN. DEEP
 MINIMUM SIZE OF CABINET: 16 IN. DEEP.
 CAPACITY OF BOWL: 1.75 GAL.



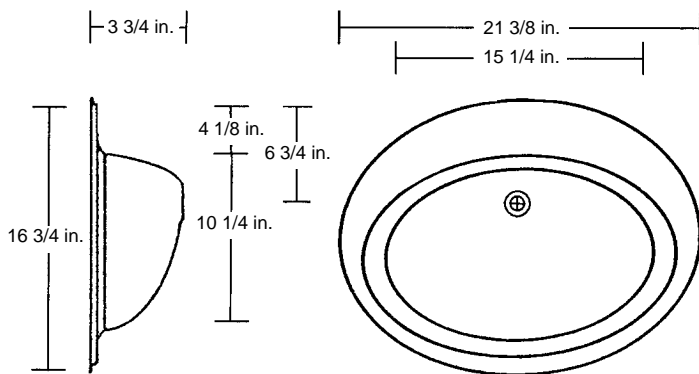
Oval II

The Oval II is the largest non-recessed bowl designed to fit a 22-inch deep vanity top. The non-recessed sink gives the vanity top the extra space that is sometimes desired.

MINIMUM SIZE OF VANITY TOP: 22 IN. DEEP
 MINIMUM SIZE OF CABINET: 21 IN. DEEP.
 CAPACITY OF BOWL: 2.5 GAL.



Oval III



A more compact oval bowl, the elegant lines and concentric recessed faucet landing area of the Oval III are scaled down to fit within the confines of an 18-inch deep vanity top.

MINIMUM SIZE OF VANITY TOP: 18 IN. DEEP
 MINIMUM SIZE OF CABINET: 17 IN. DEEP
 CAPACITY OF BOWL: 1.5 GAL.

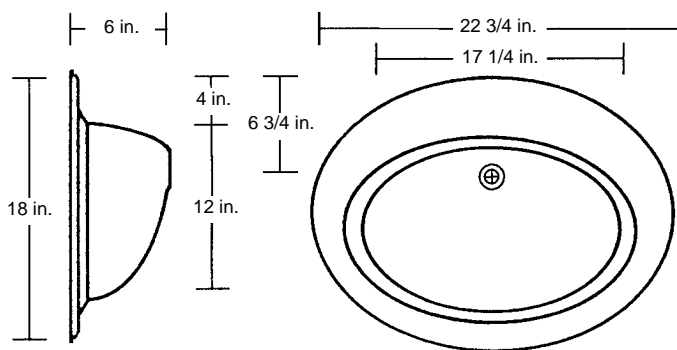
Oval IV

The elegant simplicity of the classic oval shape of the Oval IV is accented with a recessed faucet landing area.

MINIMUM SIZE OF VANITY TOP: 21 IN. DEEP

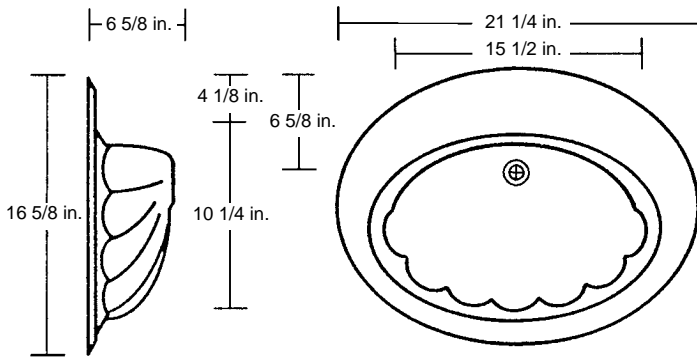
MINIMUM SIZE OF CABINET: 20 IN. DEEP

CAPACITY OF BOWL: 2 GAL.



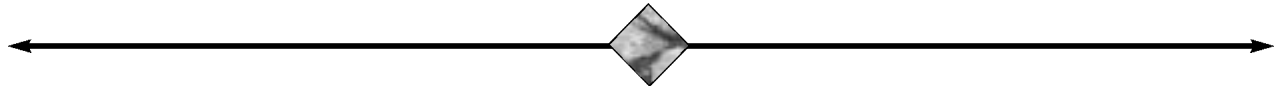
Oval Bowls

Shell I



The elegant lines and recessed faucet landing area of the Shell I are scaled down to fit within the confines of an 18-inch deep vanity top.

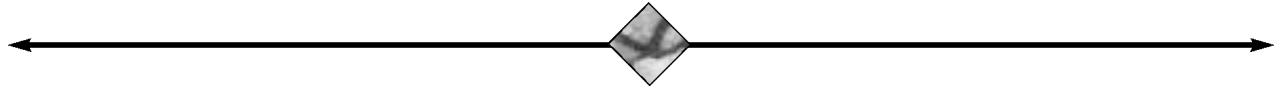
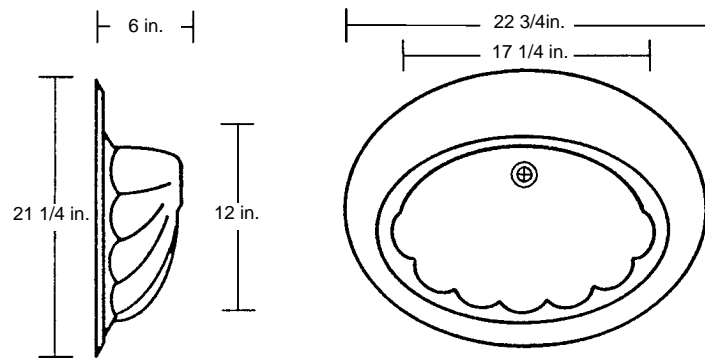
MINIMUM SIZE OF VANITYTOP: 18 IN. DEEP
 MINIMUM SIZE OF CABINET: 17 IN. DEEP
 CAPACITY OF BOWL: 1.5 GAL.



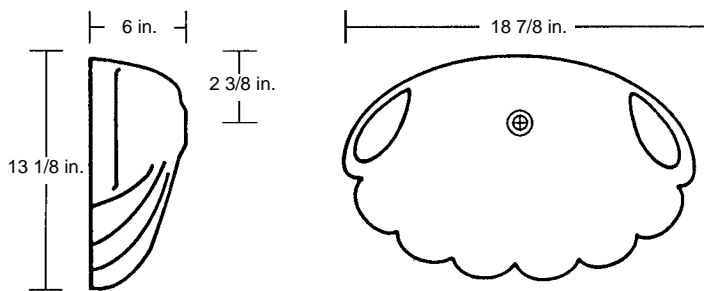
Shell II

The recessed faucet landing of this larger shell adds a uniqueness all its own.

MINIMUM SIZE OF VANITYTOP: 22 IN. DEEP
 MINIMUM SIZE OF CABINET: 21 IN. DEEP
 CAPACITY OF BOWL: 2.0 GAL.



Shell III



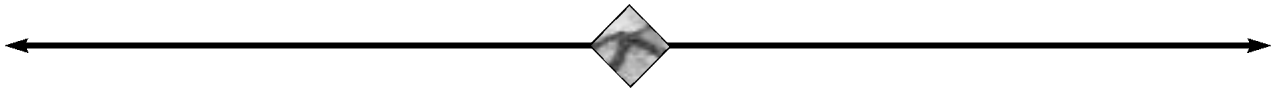
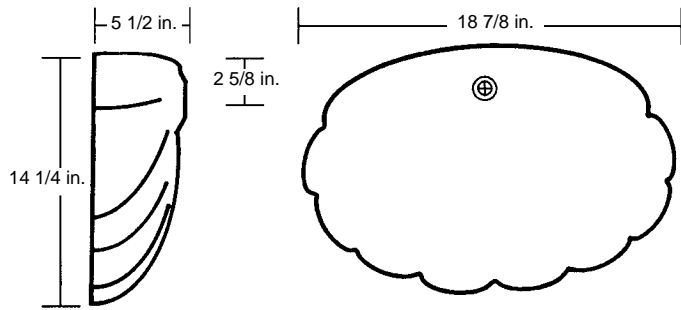
Blend in two recessed, free-flowing soap landings with the graceful symmetry of a seven-point shell, and you have a bowl that will complement the most lavish bath environment.

MINIMUM SIZE OF VANITYTOP: 21 IN. DEEP
 MINIMUM SIZE OF CABINET: 20 IN. DEEP
 CAPACITY OF BOWL: 2.25 GAL.

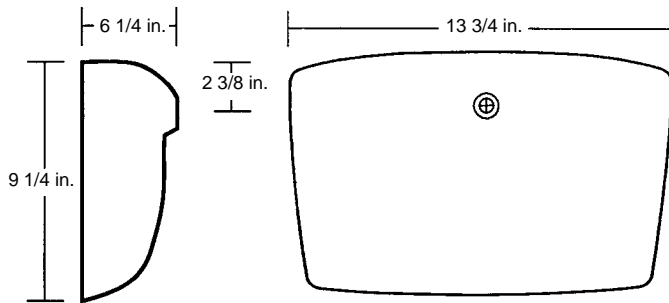
Shell IV

Silhouetted by a nine-point shell shape, the Shell III's vertical sides and flat bottom create an impressive, large volume basin.

MINIMUM SIZE OF VANITY TOP: 22 IN. DEEP
MINIMUM SIZE OF CABINET: 21 IN. DEEP
CAPACITY OF BOWL: 3.5 GAL.



Rectangle I

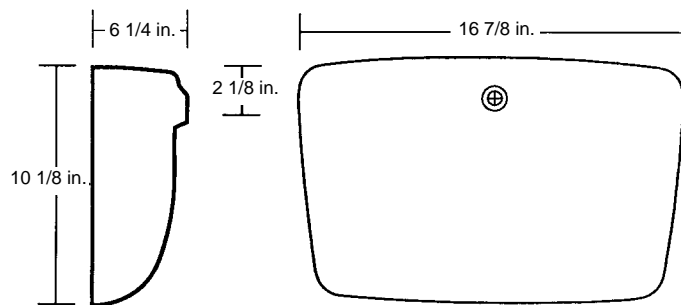


Rectangle I adapts the clean, contemporary styling to a 17-inch deep vanity top, while still retaining a generous 6 1/4-inch depth.

MINIMUM SIZE OF VANITY TOP: 17 IN. DEEP
 MINIMUM SIZE OF CABINET: 16 IN. DEEP
 CAPACITY OF BOWL: 2.5 GAL.

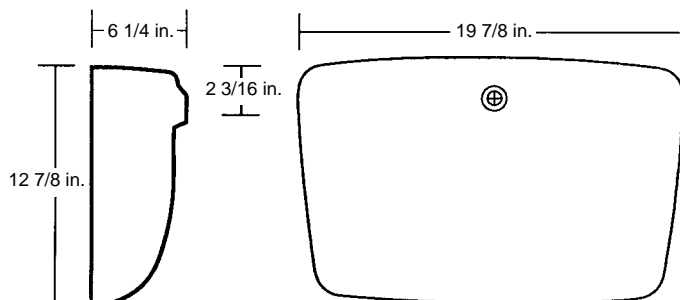
Rectangle II

Generously proportioned, the Rectangle II offers crisp, contemporary styling in an optimum size and shape. Its squarish design is a refreshing alternative to the many oval and shell shapes available.



MINIMUM SIZE OF VANITY TOP: 19 IN. DEEP
 MINIMUM SIZE OF CABINET: 18 IN. DEEP
 CAPACITY OF BOWL: 3 GAL.

Rectangle III



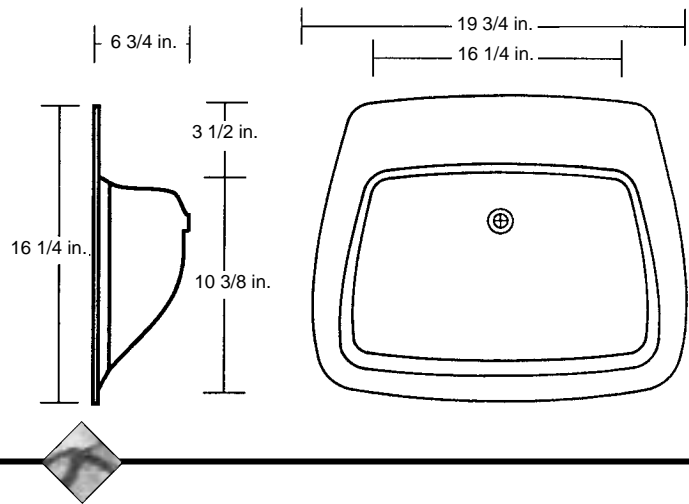
The larger, non-recessed Rectangle III offers a unique style without the need to use countertop space.

MINIMUM SIZE OF VANITY TOP: 22 IN. DEEP
 MINIMUM SIZE OF CABINET: 21 IN. DEEP
 CAPACITY OF BOWL: 3 GAL.

Rectangle IV

A flared rim adds the ability to help water run back into the bowl and adds a unique style.

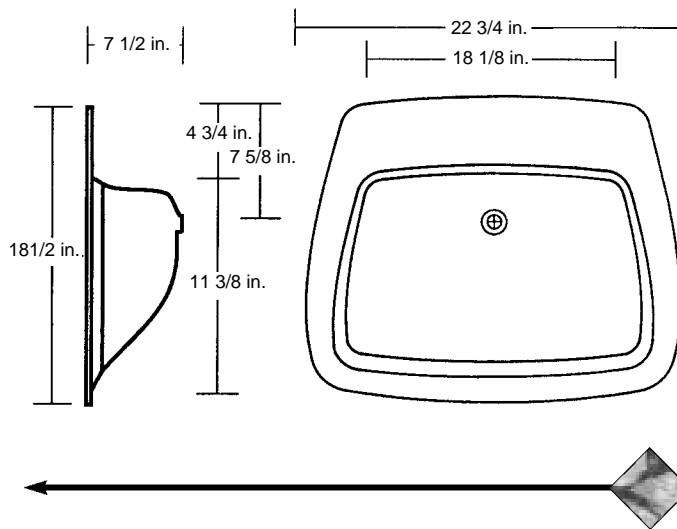
MINIMUM SIZE OF VANITY TOP: 19 IN. DEEP
 MINIMUM SIZE OF CABINET: 18 IN. DEEP
 CAPACITY OF BOWL: 2 GAL.



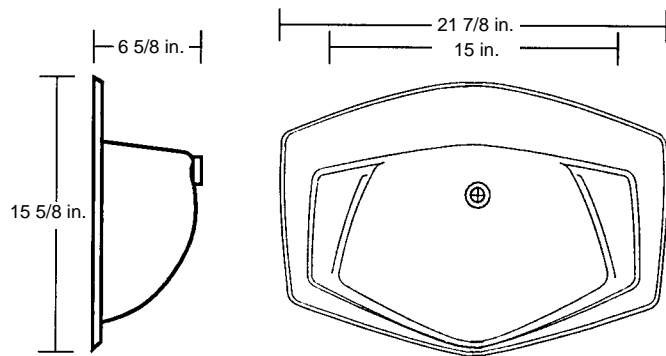
Rectangle V

This broad, trapezoid-shaped bowl is surrounded by a proportionately designed, recessed area that helps keep water and soap off the vanity top. The faucet landing area will accommodate fixtures with a spread of up to 12 inches, center to center. A gracefully flared rim adds the final accent to this handsome design.

MINIMUM SIZE OF VANITY TOP: 22 IN. DEEP
 MINIMUM SIZE OF CABINET: 21 IN. DEEP.
 CAPACITY OF BOWL: 3 GAL.



Diamond I



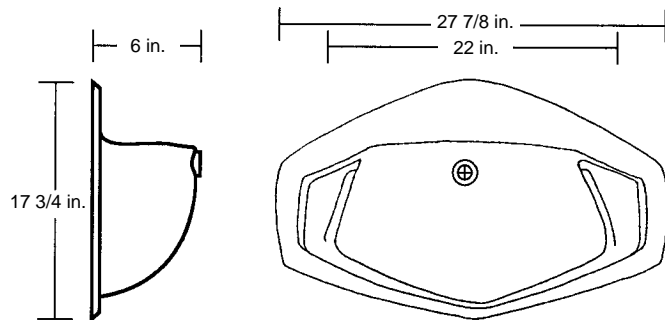
This generously proportioned, gem like bowl offers a uniqueness not found in other styles. Offered with this design are self-draining soapdishes.

MINIMUM SIZE OF VANITY TOP: 19 IN. DEEP
MINIMUM SIZE OF CABINET: 18 IN. DEEP
CAPACITY OF BOWL: 2.5 GAL.

Diamond II

The Diamond II is exceptionally large and stylish for that unique bath environment.

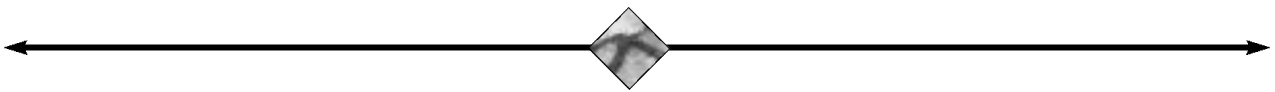
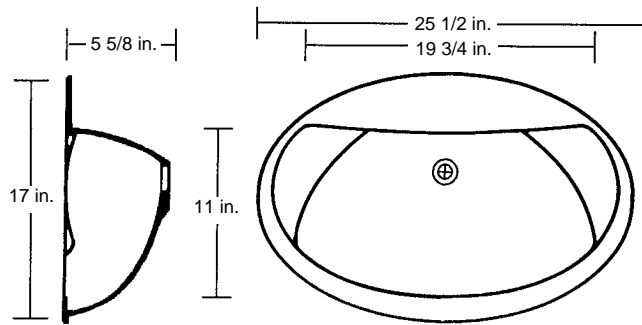
MINIMUM SIZE OF VANITY TOP: 22 IN. DEEP
MINIMUM SIZE OF CABINET: 21 IN. DEEP
CAPACITY OF BOWL: 3 GAL.



Pearl I

The Pearl I bowl has elegant proportions, gracious contours, and it is sized down to fit a 19-inch vanity top.

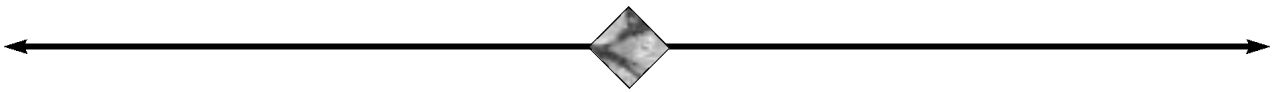
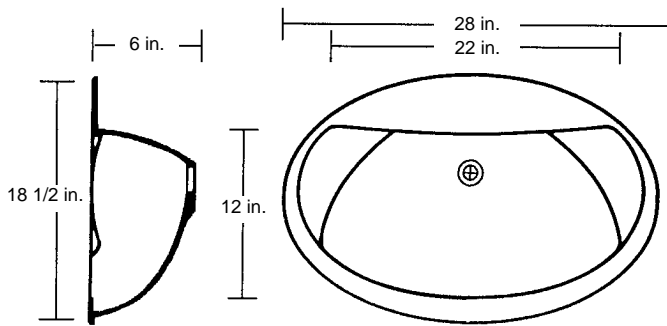
MINIMUM SIZE OF VANITY TOP: 19 IN. DEEP'
MINIMUM SIZE OF CABINET: 18 IN. DEEP
CAPACITY OF BOWL: 2.5 GAL.



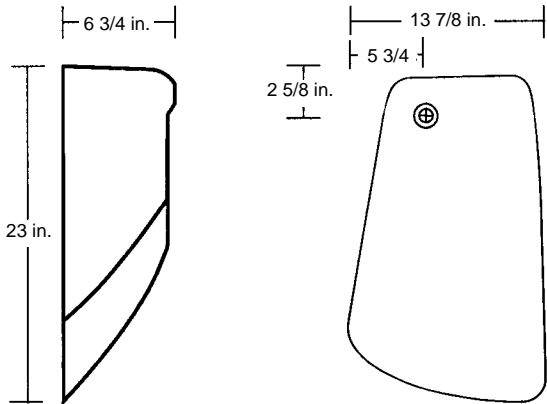
Pearl II

Gracious lines and soft contours describe pure elegance in the Pearl II bowl.

MINIMUM SIZE OF VANITY TOP: 22 IN. DEEP
MINIMUM SIZE OF CABINET: 21 IN. DEEP
CAPACITY OF BOWL: 3.5 GAL.



Regency I



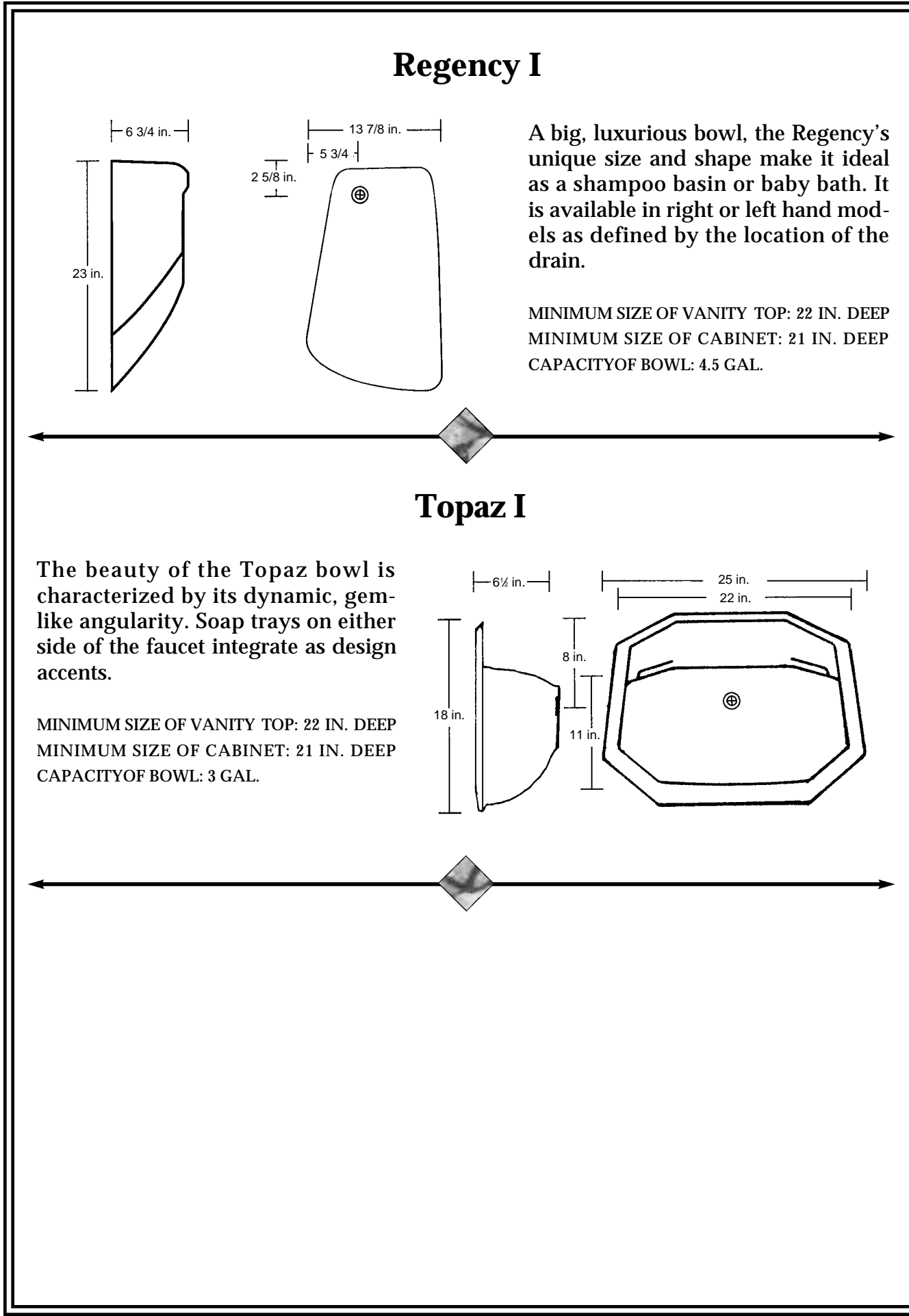
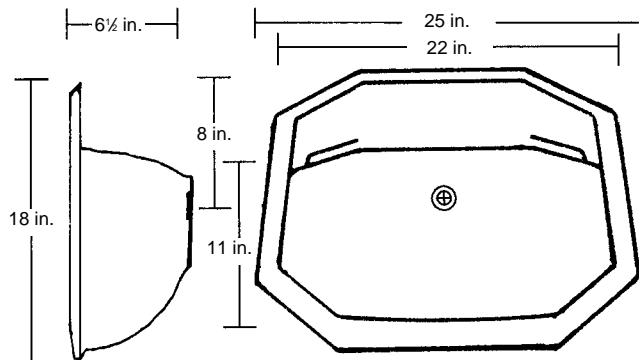
A big, luxurious bowl, the Regency's unique size and shape make it ideal as a shampoo basin or baby bath. It is available in right or left hand models as defined by the location of the drain.

MINIMUM SIZE OF VANITY TOP: 22 IN. DEEP
 MINIMUM SIZE OF CABINET: 21 IN. DEEP
 CAPACITY OF BOWL: 4.5 GAL.

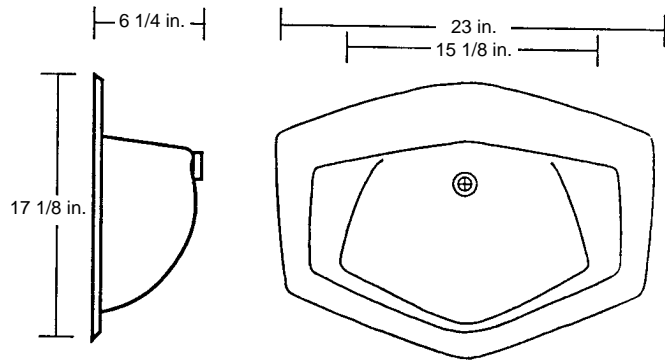
Topaz I

The beauty of the Topaz bowl is characterized by its dynamic, gem-like angularity. Soap trays on either side of the faucet integrate as design accents.

MINIMUM SIZE OF VANITY TOP: 22 IN. DEEP
 MINIMUM SIZE OF CABINET: 21 IN. DEEP
 CAPACITY OF BOWL: 3 GAL.

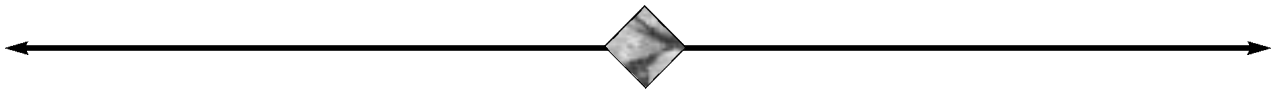


Diamond III



The Diamond III is gem-like in styling and combines self-draining soap dishes for a sleek appearance.

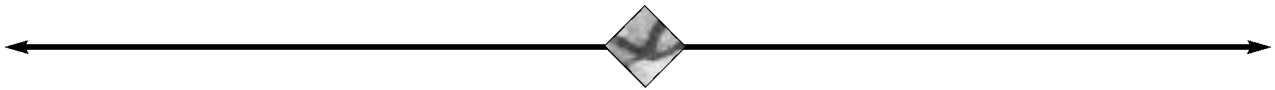
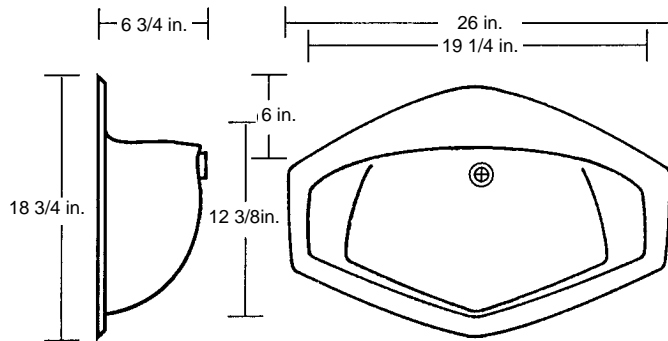
MINIMUM SIZE OF VANITY TOP: 19 IN. DEEP
 MINIMUM SIZE OF CABINET: 18 IN. DEEP
 CAPACITY OF BOWL: 2.5 GAL.



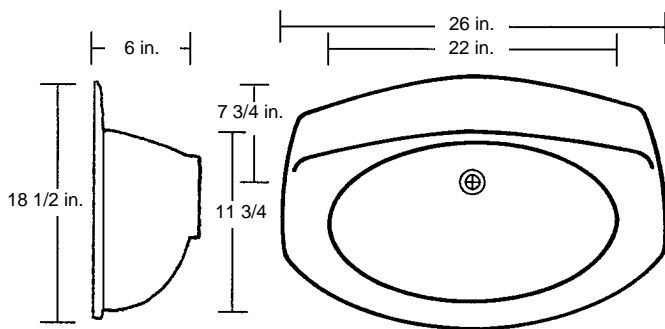
Diamond IV

The broadly shaped, crisp, clean styling of this exciting bowl is ideally suited for the ever popular contemporary bath environment.

MINIMUM SIZE OF VANITY TOP: 22 IN. DEEP
 MINIMUM SIZE OF CABINET: 21 IN. DEEP
 CAPACITY OF BOWL: 3 GAL.



Deluxe Oval V



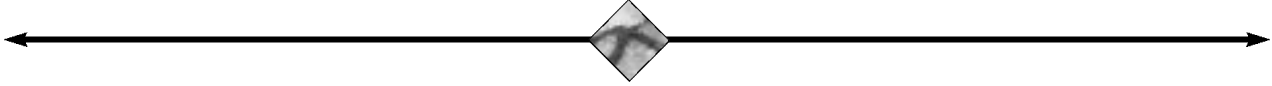
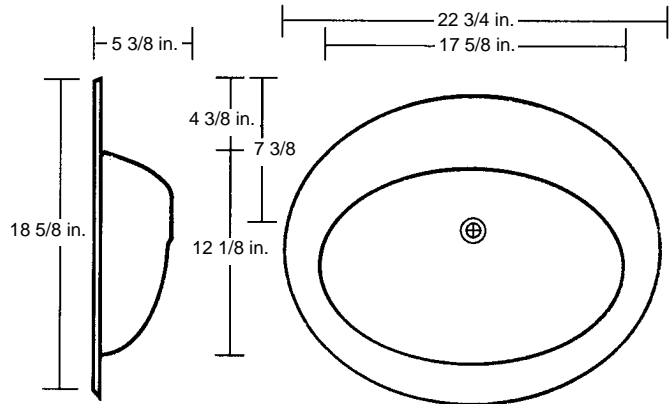
The Deluxe Oval bowl offers flared rim, wide faucet landing and classic European styling that coordinates with an oval bathtub.

MINIMUM SIZE OF VANITY TOP: 22 IN. DEEP
 MINIMUM SIZE OF CABINET: 21 IN. DEEP
 CAPACITY OF BOWL: 2.5 GAL.

Classic Oval VI

The Classic Oval VI provides the elegant simplicity to the classic oval shape in a drop-in bowl design.

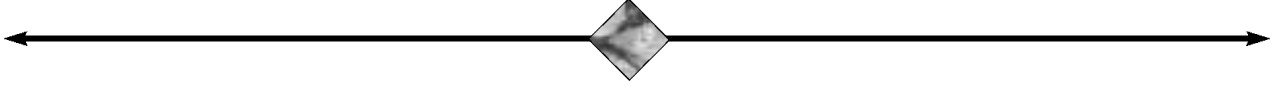
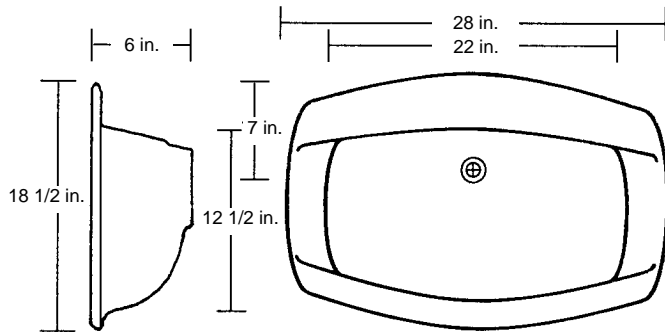
MINIMUM SIZE OF VANITY TOP: 22 IN. DEEP
 MINIMUM SIZE OF CABINET: 21 IN. DEEP
 CAPACITY OF BOWL: 2.5 GAL.



Deluxe Rectangle V

For extra flare around the rim and wide faucet landing, select this gracious Eurostyle bowl designed to complement a rectangular shaped tub.

MINIMUM SIZE OF VANITY TOP: 22 IN. DEEP
 MINIMUM SIZE OF CABINET: 21 IN. DEEP
 CAPACITY OF BOWL: 3 GAL.



Fleur-de-lis

No other bowl has such a design. It offers elegance along with functionality. It has six points that flow to a deep bottom.

MINIMUM SIZE OF VANITY TOP: 22 IN. DEEP
 MINIMUM SIZE OF CABINET: 21 IN. DEEP
 CAPACITY OF BOWL: 3 GAL.

